

BU-18Neo

Full HD Button Camera
2 Mega Pixel Sensor
1080p Ready!

Feature

- Adopt locking din plug to ensure firm connection
- 2.2MP CMOS covert pinhole button camera
- 1080p, 0.1 Lux@ F2.0(50IRE) low light sensitivity
- Self-contained invisible microphone, single cable design
- Adopt light-weighted, ultra-thin design cables
- Provide flexibility to disguise in different application
- Low cost while with high performance solution

Specification

| Resolution | |
|----------------------------|----------------------------------|
| Video Resolution | 1080P |
| Pixel Size | 2.8um(H) * 2.8um(V) |
| Digital Picture Resolution | (H)1920x(V)1080 |
| CMOS Camera Module | |
| Built-in Image Sensor | Progressive 1/2.9 inch SONY CMOS |
| Illumination Sensitivity | 0.1 Lux @ F2.0 50IRE |
| Lens F/No | F2.0 |
| Lens Diameter | 4.3 mm |
| Angle of View | 78.2° |
| Depth of Field | 50 cm ~ ∞ |
| Electronic Shutter | 1/8 ~ 1/30,000 |
| Video Output | |
| Video Output | I2C Data |
| Power | |
| Power Supply Voltage | DC 3.3 V ± 5% |
| Power Supply Current | 220 mA |
| Physical | |
| Operating Temperature | -10°C ~ 60°C |
| Operating Humidity | 20 ~ 90% |
| Storage Temperature | -30°C ~ 80°C |
| Dimension | 25X25X17 mm |
| Weight | 18 g |

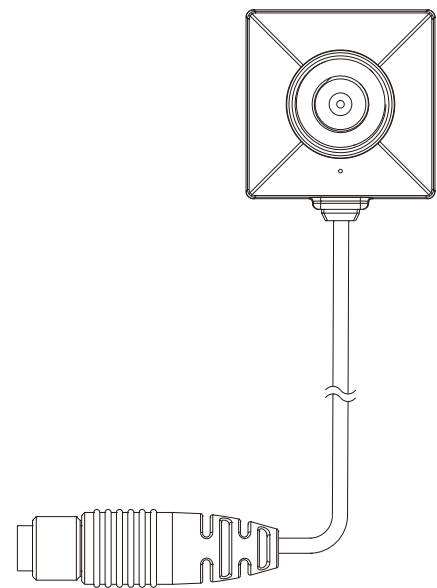
※ BU-18Neo is not compatible with LawMate RF wireless transmitters.

※ BU-18Neo is only compatible with PV-500Neo & PV-500Neo Pro.

*Specifications are subject to change without prior notice.

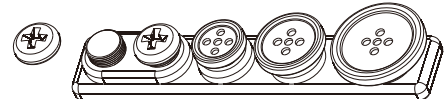


Product Sketch



Standard Accessories

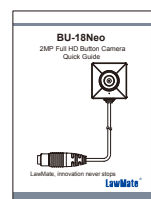
Button Screw Kit



3M Double Coated Tape



DIY Lens cover button



CE/FCC Certified